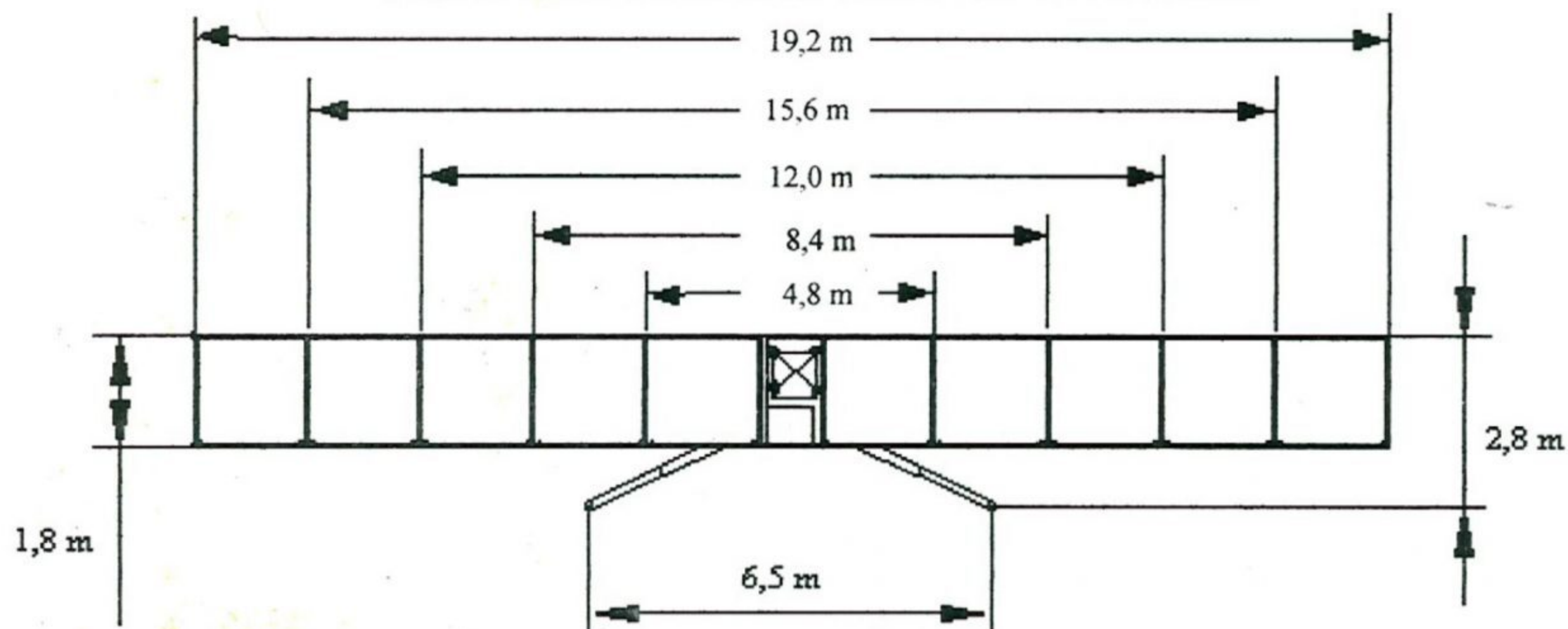


**MALMQVIST HIGH CLIMBER MA-2000**  
**Your Power in Access to the New Millenium**



**Lifting capacity**

Platform length (m)	Max. payload (kg)
4,8	2100
8,4	1900
12,0	1500
15,6	1000
19,2	500

*For other configurations, please contact Malmqvist*

**Technical specifications**

Max. free standing height, outdoors max. wind speed 14 m/s	10 m
Max free standing height, indoor 0 m/s wind	28 m
Max. height with top tie	18 m
Max. height tied	200 m
Tie distance	10 m
Lifting speed	9 m/min
Transport width	1,8 m
Transport length	6,0 m
Transport height	2,3 m
Weight base unit (without mast)	4000 kg
Mast section (L=1,25 m, galvanized) weight	84 kg
Main circuit connection	32A
Power lifting motors	2 x 2,2 kW, 3-phase 400 V
Power chassis drive motor	0,75 kW, 3-phase 400 V
Outlet for hand tools	2 x 110/230 V, 1-phase

**MALMQVIST HIGH CLIMBER IN BORLÄNGE AB**  
P.O. Box 811, Svetsgränd 8  
SE-781 28 BORLÄNGE  
SWEDEN

Tel +46 (0)243 840 90

Fax +46 (0)243 808 85

E-mail: office@malmqvist.se

Web site: www.malmqvist.se

*The manufacturers reserves the rights to alter the design*